

FEDERAL SUPPLY CLASS
4730

RATIONALE

AS4458B HAS BEEN REAFFIRMED TO COMPLY WITH THE SAE FIVE-YEAR REVIEW POLICY.

REV.
B

AS4458

SAE Technical Standards Board Rules provide that: "This report is published by SAE to advance the state of technical and engineering sciences. The use of this report is entirely voluntary, and its applicability and suitability for any particular use, including any patent infringement arising therefrom, is the sole responsibility of the user." SAE reviews each technical report at least every five years at which time it may be revised, reaffirmed, stabilized, or cancelled. SAE invites your written comments and suggestions.

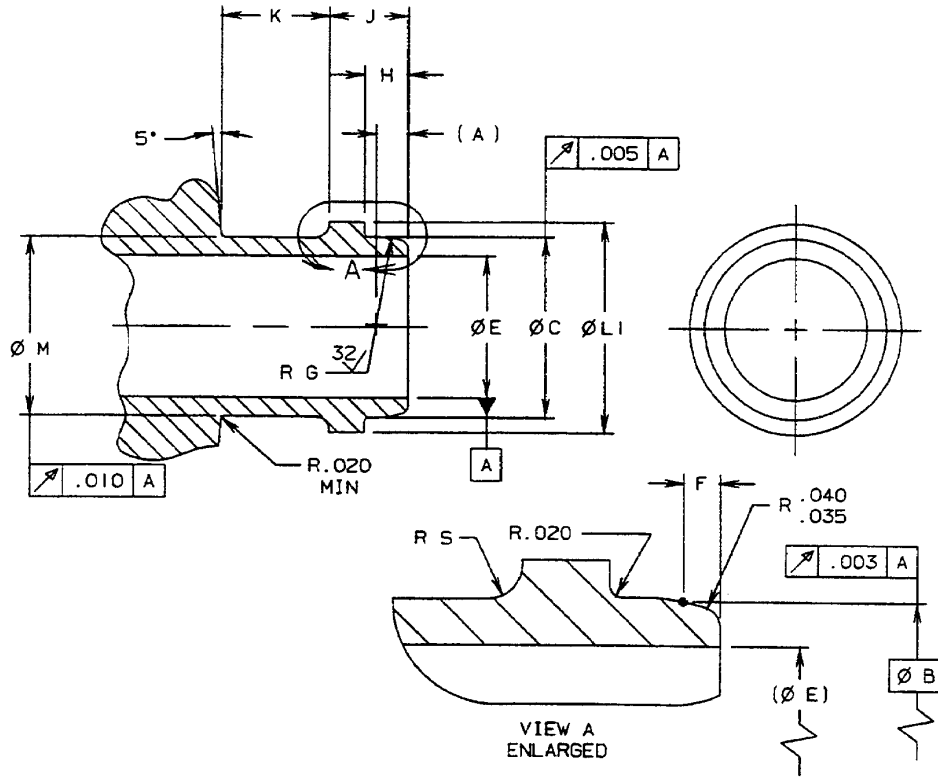


FIGURE 1 - FITTING END, STYLE A

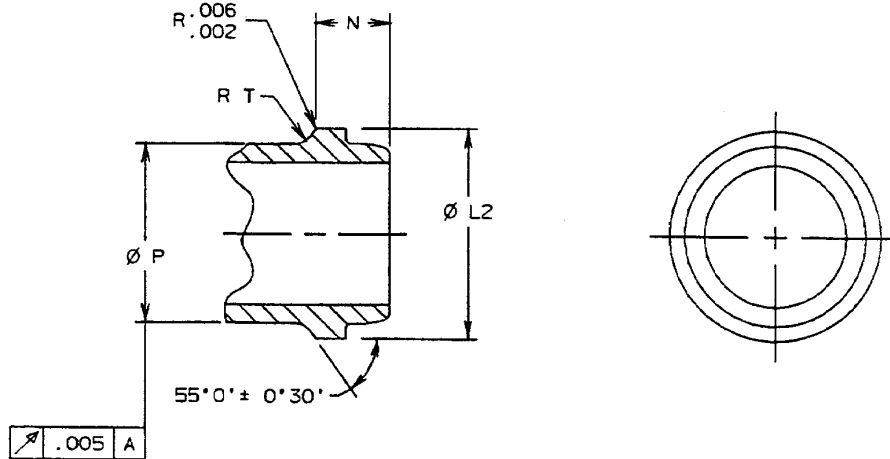
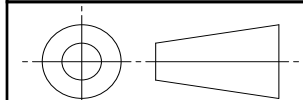


FIGURE 2 - FITTING END, STYLE B
SAME AS STYLE A, EXCEPT AS SHOWN

SAE values your input. To provide feedback on this Technical Report, please visit <http://www.sae.org/technical/standards/AS4458B>

THIRD ANGLE PROJECTION



CUSTODIAN: G-3/G-3B

PROCUREMENT SPECIFICATION: NONE /1/



AEROSPACE STANDARD

FITTING END, FLARELESS, BLUNT NOSE,
DESIGN STANDARD

AS4458
SHEET 1 OF 3

**REV.
B**

ISSUED 1990-10 REVISED 1996-08 REAFFIRMED 2015-04